



STILLE imagiQ2

Improving efficiency in the OR while reducing radiation



Surgical Perfection

Endovascular repair meets surgical perfection



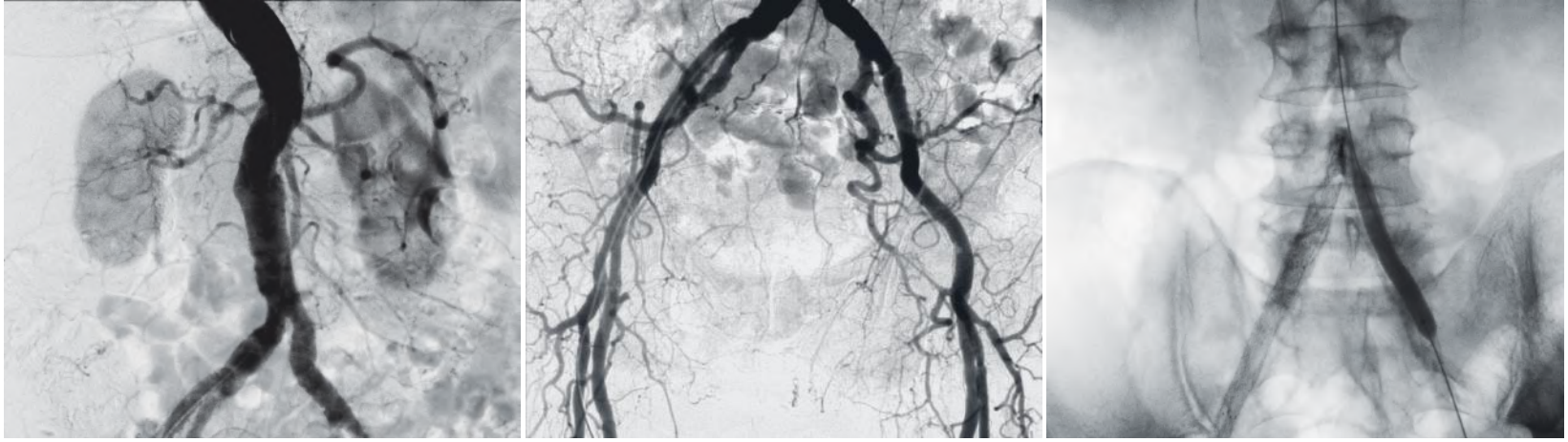
The STILLE imagiQ2: A new generation of low-dose surgical tables

Our table is designed with perfection for image-guided endovascular and other interventional procedures. With pricing, safety and features optimized for both in-patient and outpatient settings, the imagiQ2 surgical table is enhancing efficiency in mobile Hybrid OR procedures and conventional endovascular repair.

Part number	Description
530-1700	imagiQ2 Basic EU
530-1701	imagiQ2 Basic UK
530-1702	imagiQ2 Basic JP
530-1703	imagiQ2 Basic USA

Learn more at:
www.stille.se/imagiQ2

Envision a *clearly* different C-arm experience



The STILLE imagiQ2 provides ultimate visualization and OR efficiency

Improve procedure time

The STILLE imagiQ2 has fast, smooth, accurate movements and crystal-clear translucency. These features help save time in the OR and minimize the need for C-arm adjustments that could contribute to overheating.

The ultra-slim design and super-low base make it an ideal complement for any size C-arm.

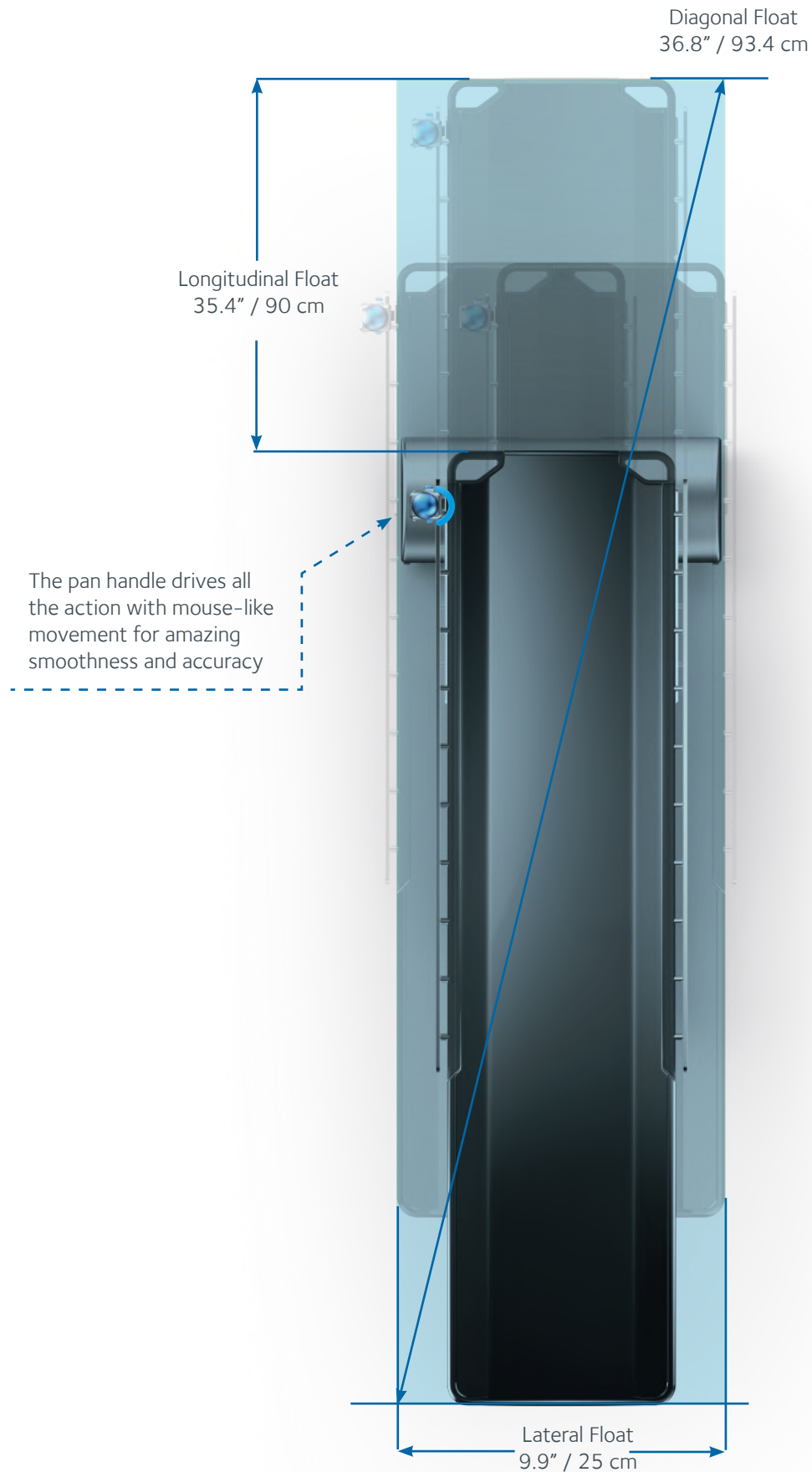
Choose a low-dose enabler

The high-performance carbon fiber table top provides unbeatable transparency (0.4 mm Al), considerably reducing the radiation dose from the C-arm without compromising image quality.





Experience True Free Float[®]



Total control and freedom of movement



More than a pan handle, it's an extension of you

The cardiovascular system is not designed to operate on straight lines, neither should your vascular table.

The True Free Float® technology* of the STILLE imagiQ2 gives you unprecedented control and freedom of movement in any desired direction while providing state-of-the-art smoothness, allowing shorter procedure times and efficiency in the OR.

STILLE has been developing medical devices since 1841 and has always been committed to providing the safest and highest performing solutions that will live up to our motto: *Surgical perfection. For life.*

*Patents pending.

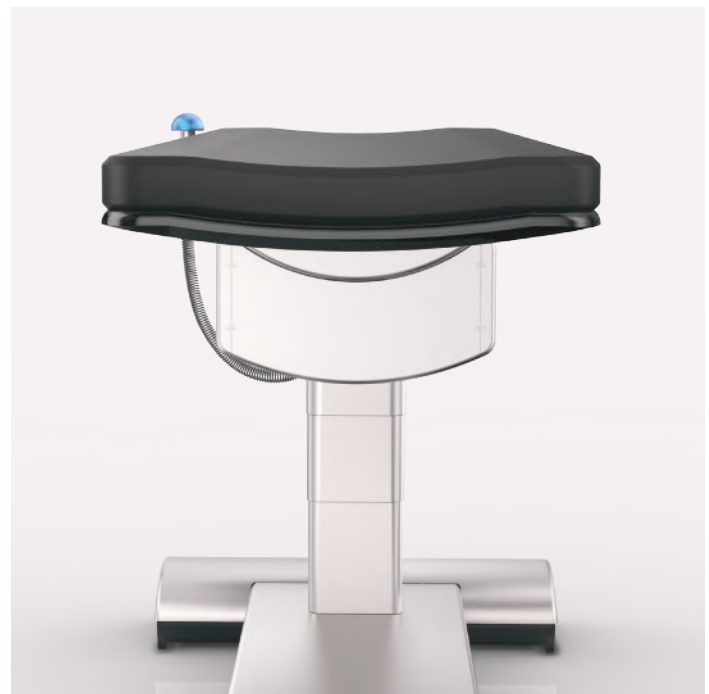
Roll with it

The patented technology of the iso-roll ($\pm 15^\circ$) maintains image focus during patient repositioning, helping minimize C-arm adjustments thus reducing scattered radiation.



Set the trend

You have the ability to Trendelenburg / reverse trend 25° — that's the most for any vascular OR table on the market. The quick-action button allows for rapid descent for emergency situations.



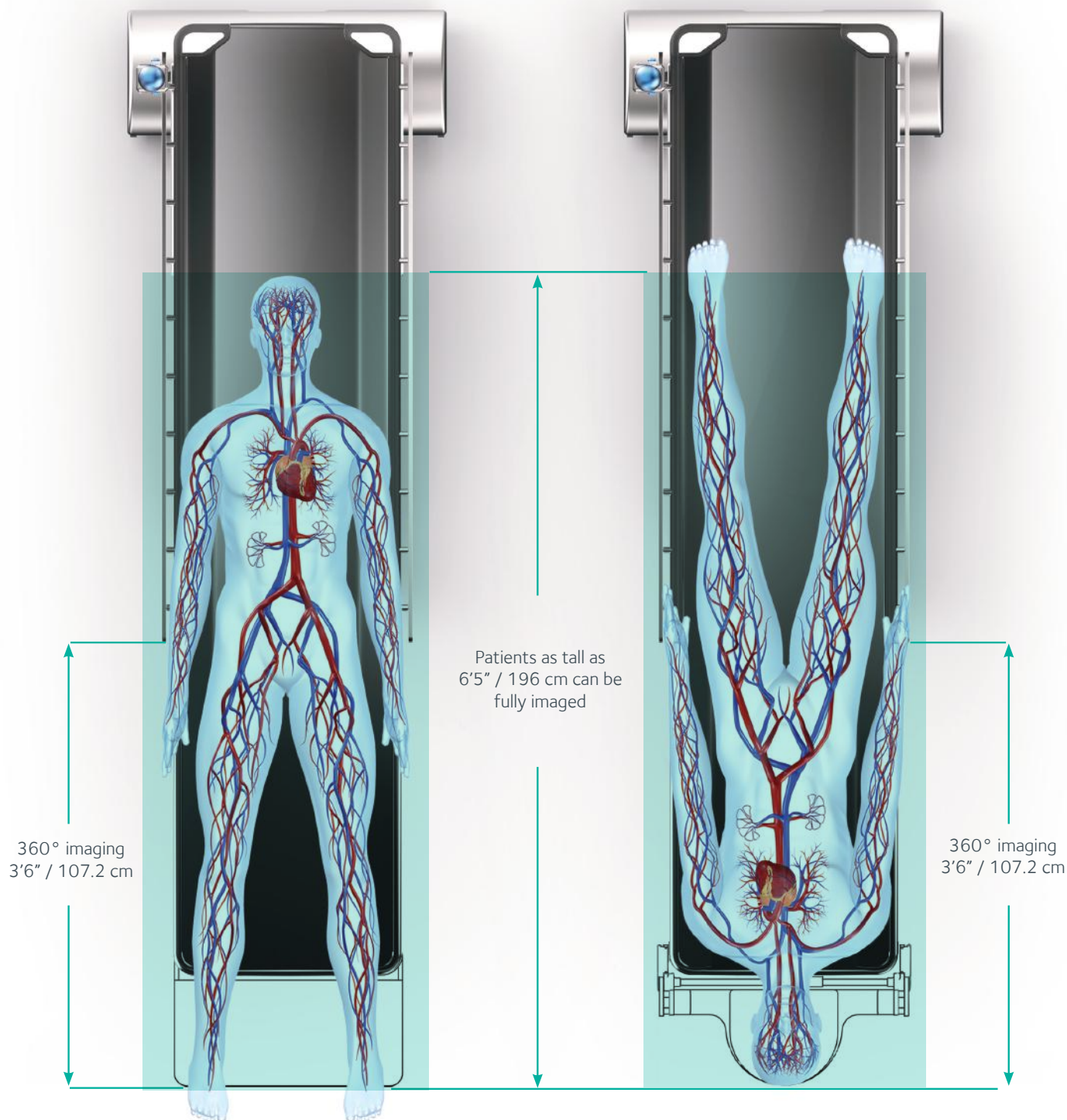
Freedom of float

Free float technology allows smooth longitudinal (35.4" / 90 cm), lateral (9.9" / 25 cm) and diagonal (36.8" / 93.5 cm) movement.

Flexibility for the future

The exchangeable table top gives you the option of expanding your OR capabilities and is readily available for future upgrades.

Premium capabilities for premium procedures




Go the distance

- ✓ Total translucent length: 6'5" / 196 cm with headrest (5'6" / 169.2 cm without headrest)
- ✓ 360° unobstructed translucent length: 3'6" / 107.2 cm with headrest (2'7" / 80.4 cm without headrest)

Weigh in on an affordable investment

- ✓ Because it is a premium-made product, the imagiQ2 tables can be upgraded to handle patients as heavy as 661 lbs (300 kg)
- ✓ Standard configuration can handle patients weighing as much as 496 lbs (225 kg)



Provide the safest environment
for your patients and OR staff

Low-dose tables: The standard of safety

Our engineers designed the imagiQ2 table top with a new high-performance carbon fiber structure material.* This high-quality table top with its unbeatable translucency (0.4 mm Al), allows the c-arm to enhance image quality while reducing x-ray dose, improving OR safety.

According to the recent Guidelines of Patient Radiation Dose Management,¹ equipment shall be operated at the lowest fluoroscopic dose rate that yields adequate images.

*Patents pending.

1. Stacker M, Balter S, Towbin RB, et al. *Guidelines for Patient Radiation Dose Management*. 2009;20:S263-S273.

Surgical perfection for life: *A worthy investment*



Gold-standard service and warranty

STILLE is dedicated to providing gold-standard customer service. We believe in our products: imagiQ2 is backed with a 2-year warranty on labor and 3 years on parts. However, if you need service support, our technicians are specially trained on each product and offer quick, courteous service.

Safety for patients and staff

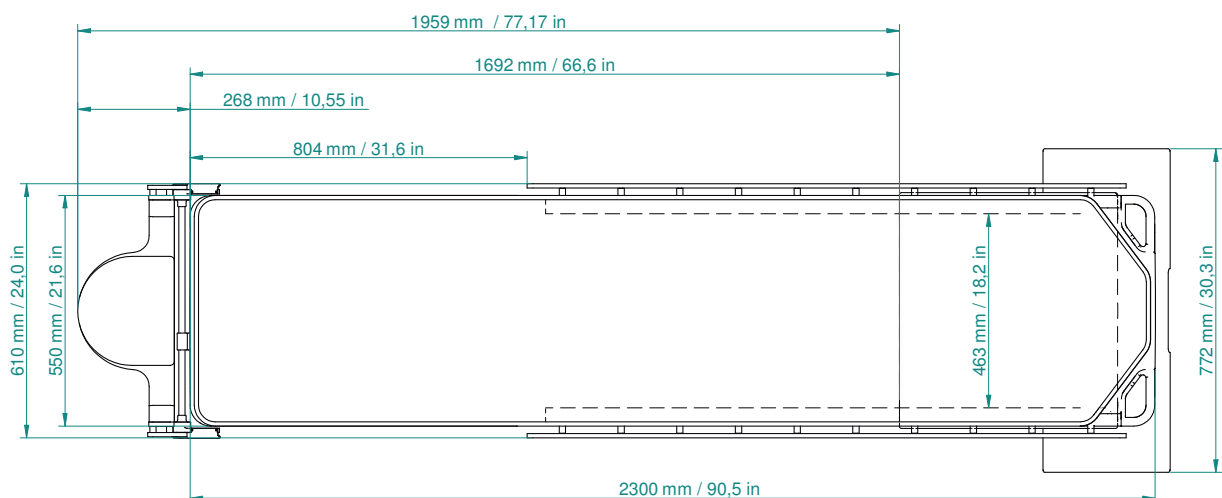
For more than 170 years, STILLE has developed medical devices with patient safety as our primary focus. Our products require extensive safety checks through our quality system to ensure they are delivered with the highest level of safety for patients and OR staff.

Reliability you can trust

STILLE has a history of leadership in the medical sciences that started in 1841 at the Karolinska Institute in Sweden. We pride ourselves in working with the finest material to ensure the highest quality in performance and durability on all our products.

Innovative technology

STILLE is an innovator in vascular imaging technology. We have always invested in product development by working directly with surgeons to provide the best solutions to OR situations. We focus our attention on the product's safety and ease of use so you can focus on the procedure not the equipment.



Product specifications of the STILLE imagiQ2

Feature	Description
Patient weight	496 lb / 225 kg and 661 lb / 300 kg (with load upgrade pack)
Table top length	90.5" / 230 cm
Translucent length	77.17" / 196 cm with headrest (66.6" / 169.2 cm without headrest)
Translucent table top	Proprietary, patent pending carbon fiber structure. Al 0.4 mm
Float lock	Stille quick-lock system
Float (longitudinal, lateral, diagonal)	35.4" x 9.9" x 36.8" / 90 cm x 25 cm x 93.4 cm
Operation conditions	100% continuous
AC power: 100-250 Volts	Direct AC power + battery DC power
Length, width, height	L = 92" / 234 cm; W = 30.3" / 77.2 cm; H = 28"- 43" / 71-109 cm
Trendelenburg	±25°
Lateral roll (iso-roll)	±15°
Wheels and steering	4 swiveling wheels
Side rails	Fixed along 2/3 of the table top
Exchangeable table top	Yes, future-proof platform for extended use
Transport handle	Yes (Color: Black for 225-kg version, silver for 300-kg version)

Customizing the imagiQ2 to fit your needs

Upgrade features	Description
Mobility enhancement pack	When the table is used for frequent intra-clinic transportation, use the mobility enhancement pack for improved mobility. An additional fifth guiding wheel is included to provide optimal mobility. Ref: 535-1711
Load upgrade pack	Maximize the capabilities of the imagiQ2 with increased patient weight capacity up to 661 lb / 300 kg. Ref: 535-1710
Performance pack	For maximum uptime, choose the performance pack. It includes a high-performance long-term battery pack with up to 1 week of durability. Ref: 535-1712

Selective accessory highlights



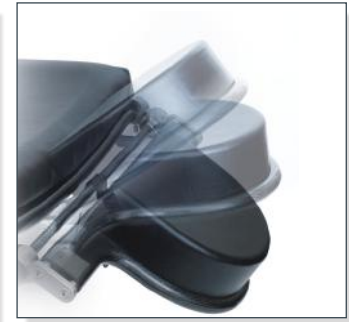
imagiQ2 radiation shields
Tailored and easy to fit protection against scattered radiation with lead rubber (0.5 Pb) material. For detailed information please see our brochure for Radiation Shields.



Detachable long side rail
80.5 cm rail system enabling full table length side rails, accessory mounting and optional 360° imaging capabilities.
Article code: 535-1721
(USA/LATAM: 535-1720: 31.69")



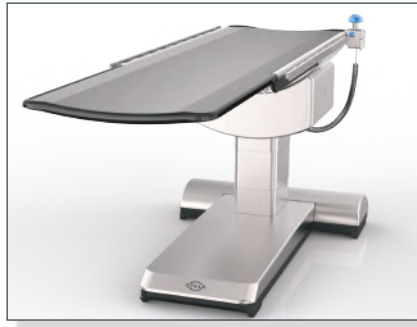
Translucent fistula arm board
Provides an unobstructed image and is connected directly to the carbon fiber top for Vascular procedures.
Article code: 535-1730



Adjustable procedure headrest
Fully translucent headrest, ensures easy intubation and superior carotid visualization. It fits both ends of the table and does not require side rails.
Article code: 535-1742

Accessory	Part number	Standard	Option	Market availability
Pan handle DIN	535-1760	x		All excluding U.S./ LATAM
Pan handle U.S.	535-1761	x		U.S./ LATAM only
Short detachable side rail DIN* (28.5 cm)	535-1725		x	All excluding U.S./ LATAM
Short detachable side rail U.S.* (11.22")	535-1724		x	U.S./ LATAM only
Long detachable side rail DIN (80.5 cm)	535-1721		x	All excluding U.S./ LATAM
Long detachable side rail U.S. (31.69")	535-1720		x	U.S./ LATAM only
Fistula arm board	535-1730		x	All
Head rest, adjustable	535-1742		x	All
Head rest, fixed	535-1741		x	All
X-ray protective kit grey	535-1770		x	All
X-ray protective kit blue	535-1771		x	All
X-ray protective loop grey	535-1772		x	All
X-ray protective loop blue	535-1773		x	All
X-ray protective lamella grey	535-1774		x	All
X-ray protective lamella blue	535-1775		x	All
Anesthesia frame	514-100311		x	All excluding U.S./ LATAM
Anesthesia frame	514-100311-US		x	U.S./ LATAM only
Catheter tray 1000 mm	535-1750		x	All
Catheter tray 1500 mm	535-1751		x	All
Catheter tray 500 mm	535-1752		x	All
Adjustable arm board DIN	514-50-3SR025		x	All excluding U.S./ LATAM
Adjustable arm board	514-50-3SR027		x	U.S./ LATAM only
Foot Control	535-1762		x	All
Widening sections 455 mm w.mattress/pair	514-100422		x	All excluding U.S./ LATAM
Side gates, foldable/ pair	514-100530		x	All excluding U.S./ LATAM
Side gates, foldable/ pair	514-100530-US		x	U.S./ LATAM only
Lateral support with clamp	514-50-3SR028		x	All excluding U.S./ LATAM
Lateral support with clamp	514-50-3SR030		x	U.S./ LATAM only
Body/leg strap	514-100465		x	All
IV-pole with clamp	514-100401		x	All excluding U.S./ LATAM
IV-pole with clamp	514-100401-US		x	U.S./ LATAM only
Head cushion	514-100334		x	All
Leg holders with clamps/ pair	514-50-3SR032		x	All excluding U.S./LATAM
Leg holders with clamps/ pair	514-50-3SR033		x	U.S./ LATAM only
Basic arm board	512-5000		x	U.S./ LATAM only
Anesthesia screen	512-5030		x	U.S./ LATAM only
IV-pole without clamp	512-5010		x	U.S./ LATAM only
IV pole clamp	512-5013		x	U.S./ LATAM only
Footboard carbon fiber with pad	512-5040		x	U.S./ LATAM only
Deluxe maximum restraint	O-RSX2		x	U.S./ LATAM only

* The new detachable short side rail is not to be used with a retractor system, catheter trays 1000 mm and 1500 mm



| **STILLE imagiQ2** |

STILLE – Surgical perfection. For life.

STILLE is one of the oldest medical device companies in the world. At STILLE, we develop, produce and sell high-quality surgical instruments and surgical imaging tables to physicians worldwide, and has done so for 170 years.

STILLE's offering consists of a strong brand and products renowned for their superior quality. We manage our business in two distinct business areas—Surgical Instruments and Surgical imaging tables.

Surgical instruments

In our Surgical Instruments business area, we have a complete offering of handcrafted, forged instrumentation for all fields of open surgery, with a special emphasis on cardiovascular surgery, and reconstructive and aesthetic plastic surgery.

Our instruments feature delicate design, industry-leading durability and a unique feel, which has made STILLE a well-known and highly respected supplier by surgeons throughout the world.

Surgical imaging tables

In our Surgical imaging tables business area, we offer specialty tables for minimally invasive procedures, with pricing, safety and features optimized for both in- and outpatient settings. The STILLE imagiQ2 surgical imaging table with its low-dose capabilities, is optimized for advanced mobile Hybrid OR settings as well as peripheral and interventional procedures.

Learn more at www.stille.se/imagiQ



Surgical Perfection

STILLE AB

Ekbacken 11,
SE-644 30 Torshälla, Sweden
Phone: +46 8 588 580 00
Fax: +46 8 588 580 05
imagiQ2@stille.se

www.stille.se

STILLE Surgical Inc.

915 Parkview Blvd
Lombard, IL 60148
United States
Phone: 1.800.6651614
sales.us@stille.se

Distributed by: